



# SPF Series

## 18" Plug-in Infrared Electric Firebox

## SPF1808L-IR

### Features

-  **Flame Effect**  
High-contrast flames with 5 brightness settings feature improved brightness and character for a dazzling, lifelike effect.
-  **Inner Glow Logs**  
Embers glow from within the realistic, hand-crafted logs.
-  **Infrared Heating**  
Powerful infrared heater features a safe element that provides on-demand heat for up to 1,000 square feet.
-  **LED Lighting**  
Flame and lights use brilliant, low-energy LED's that require zero maintenance.
-  **On/Off Remote**  
Turn the firebox on or off from the comfort of your chair.
-  **All-season Flames**  
Enjoy the unique charm of a fireplace 365 days a year using the flames without the heat.
-  **Cool-touch Glass**  
Glass remains cool making it safe for any location and any user.
-  **Low Carbon Footprint**  
The most sustainable fireplace option; no emissions and 100% efficient.
-  **Just Plug It In**  
Simply plug into any standard household outlet for instant ambiance.

Warms up to **1,000** sq. ft.



On/Off Remote

120 Volts | 1,400 Watts | 5,000 BTU

Model #	Description	Lbs / Kg	UPC	Wty.*	Carton Dimensions (WxHxD)		Cube	
					Inches	cm	ft <sup>3</sup>	m <sup>3</sup>
SPF1808L-IR	18" Infrared Electric Firebox - Logs	16.2 / 7.3	781052 131071		23 x 20-7/8 x 11-3/4	58.5 x 53.0 x 29.6	3.2	0.1

Specifications, finishes and dimensions are subject to change. \*Limited warranty. ©2020 Glen Dimplex Americas

SE-526-R00-022620

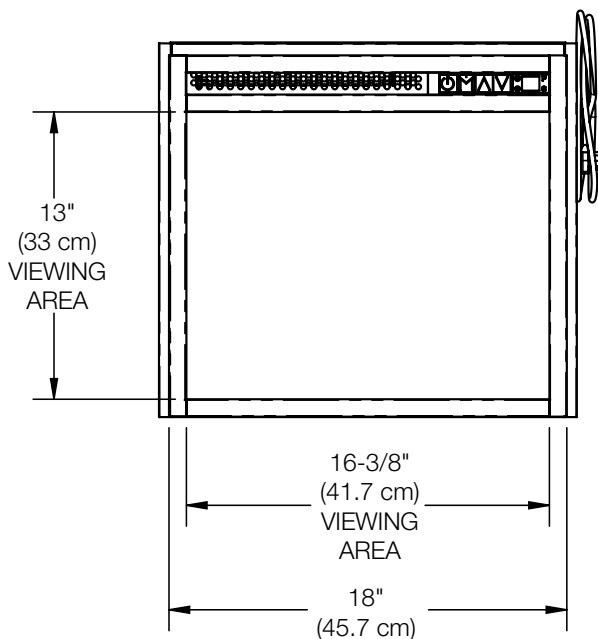
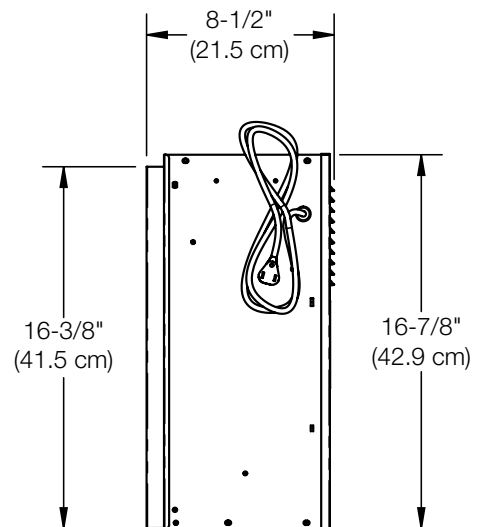
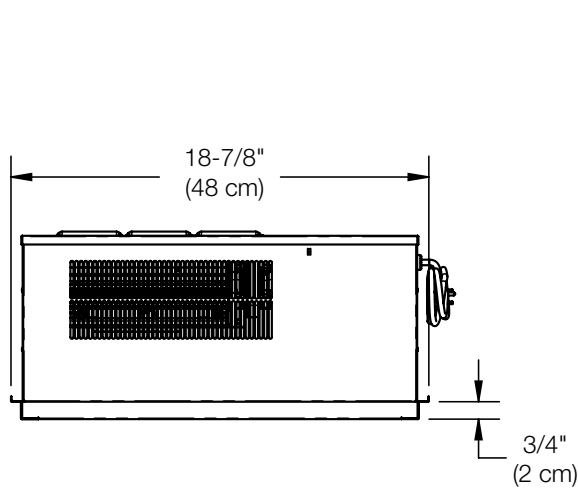


## SPF Series

18" Plug-in Infrared Electric Firebox

SPF1808L-IR

### Installation Dimensions:



FIREBOX IS MEANT FOR FURNITURE  
INSTALLATION. CANNOT BE DIRECTLY  
BUILT INTO A WALL.

